

Product datasheet

Alcove-mounted curtain-type dock shelter

Type: PMN

Contact:



Ronnenberger Straße 20
D-30989 Gehrden

phone +49 (0) 5108 879 270
fax +49 (0) 5108 879 2710

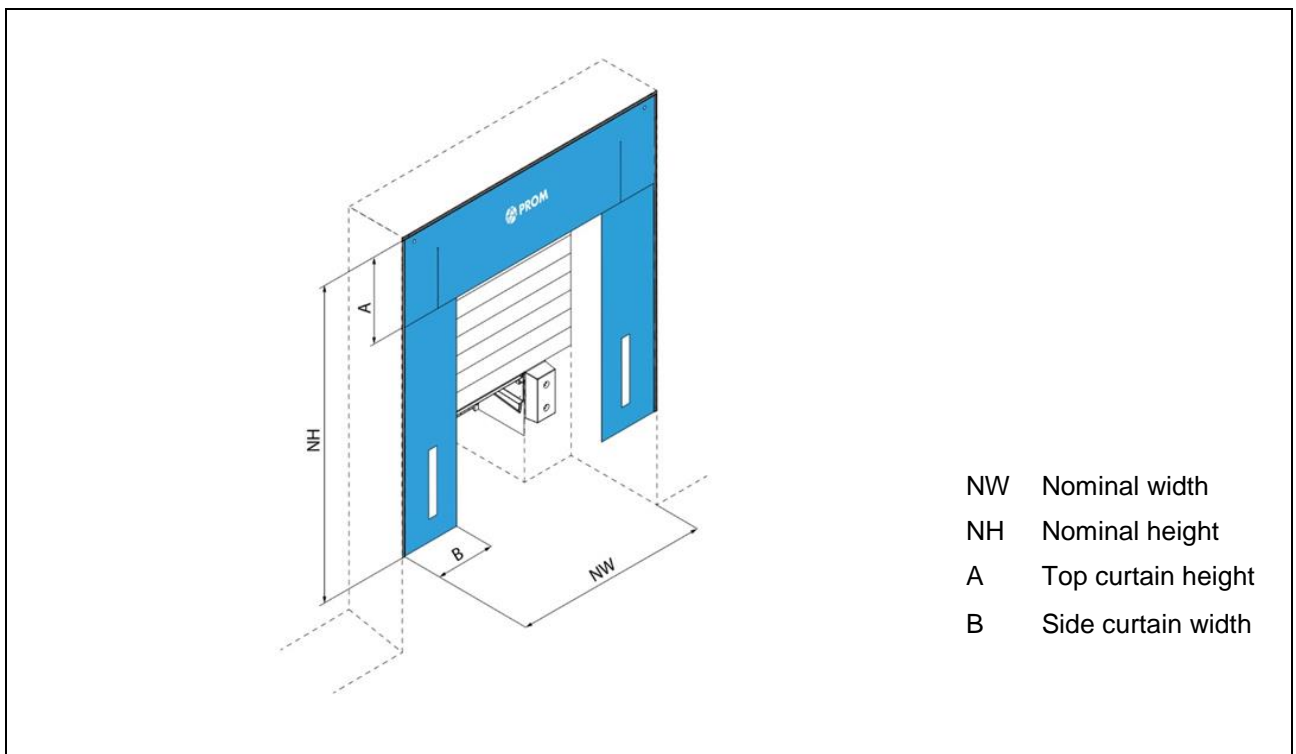
info@promstahl.de
www.promstahl.de

Alcove-mounted curtain-type dock shelter

The curtain-type dock shelter for alcove installation type PMN is fixed directly in a building alcove as not to disturb the continuity of the building façade and to considerably improve its overall uniform appearance.

This type of dock shelter consists of aluminum profiles which are mounted to both sides and to the top edge of the alcove. The shelter can be set in concrete, steel or installed using a special fixing system. The high-durability, 3 mm thick curtains are made of 2-layer, PVC-coated fabrics. Warning stripes at the front section of the dock shelter facilitate the vehicle dock-in procedure. The PMN dock shelter is pre-mounted and consists of just three parts; therefore, it can be mounted to the façade very fast and easily. Considerable savings regarding time and money are the decisive advantages of this design.

Already in its standard version, the PMN dock shelter comes with one corner slit so that perfect adjustment to the vehicle can be guaranteed.



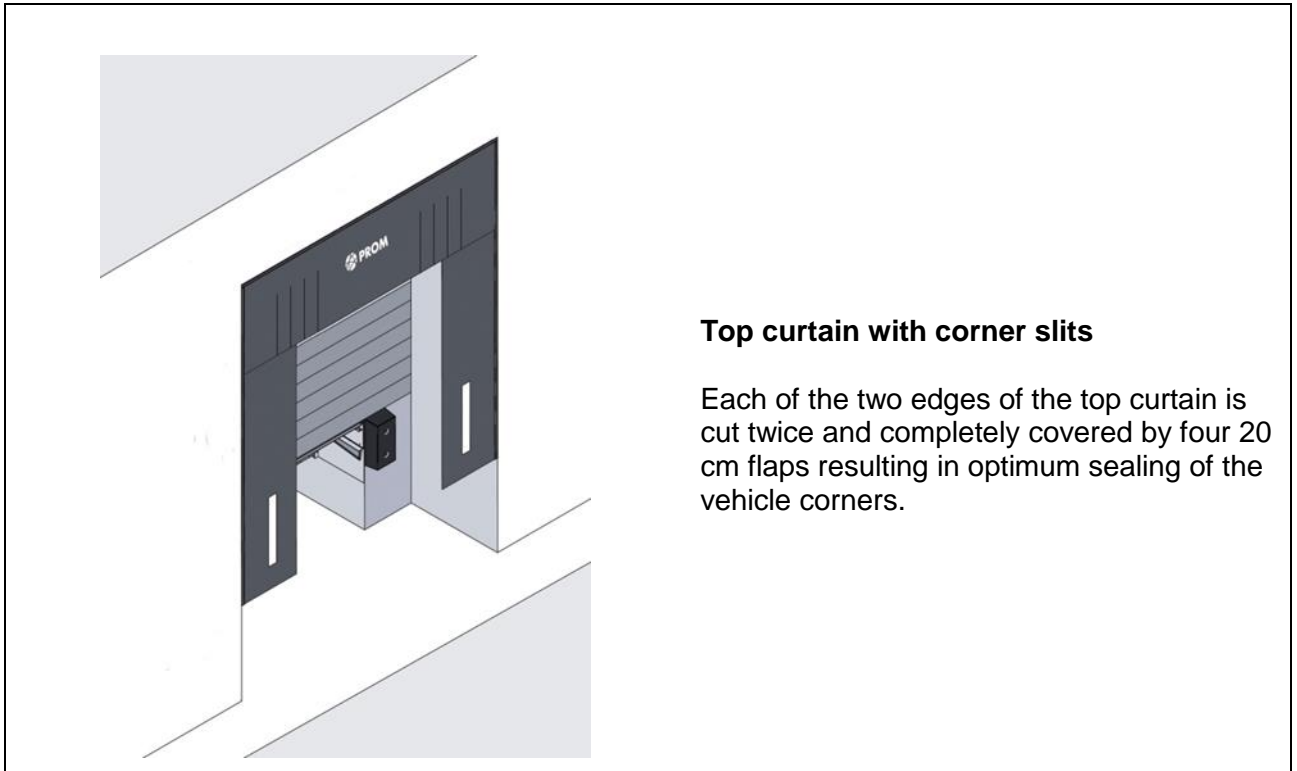
	Standard dimensions	Option: special dimensions
NW	3250, 3300, 3400, 3450	3200 - 3600
NH	3200, 3400, 3500, 3600	3200 - 4700
A	1000	1000, 1200, 1500
B	600 (\leq NW 3400) 700 ($>$ NW 3400)	600 (\leq NW 3400) 700 ($>$ NW 3400)
All dimensions in mm.		

Curtain specification

Top curtain and side curtain characteristics:

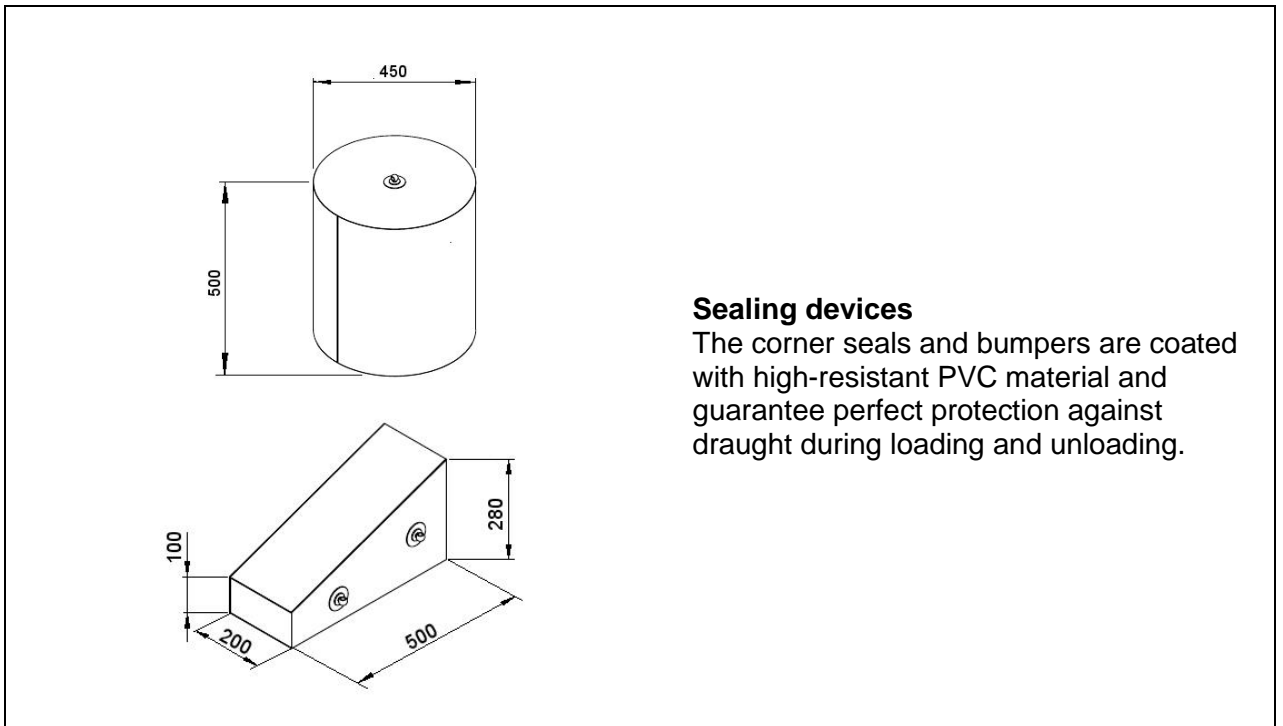
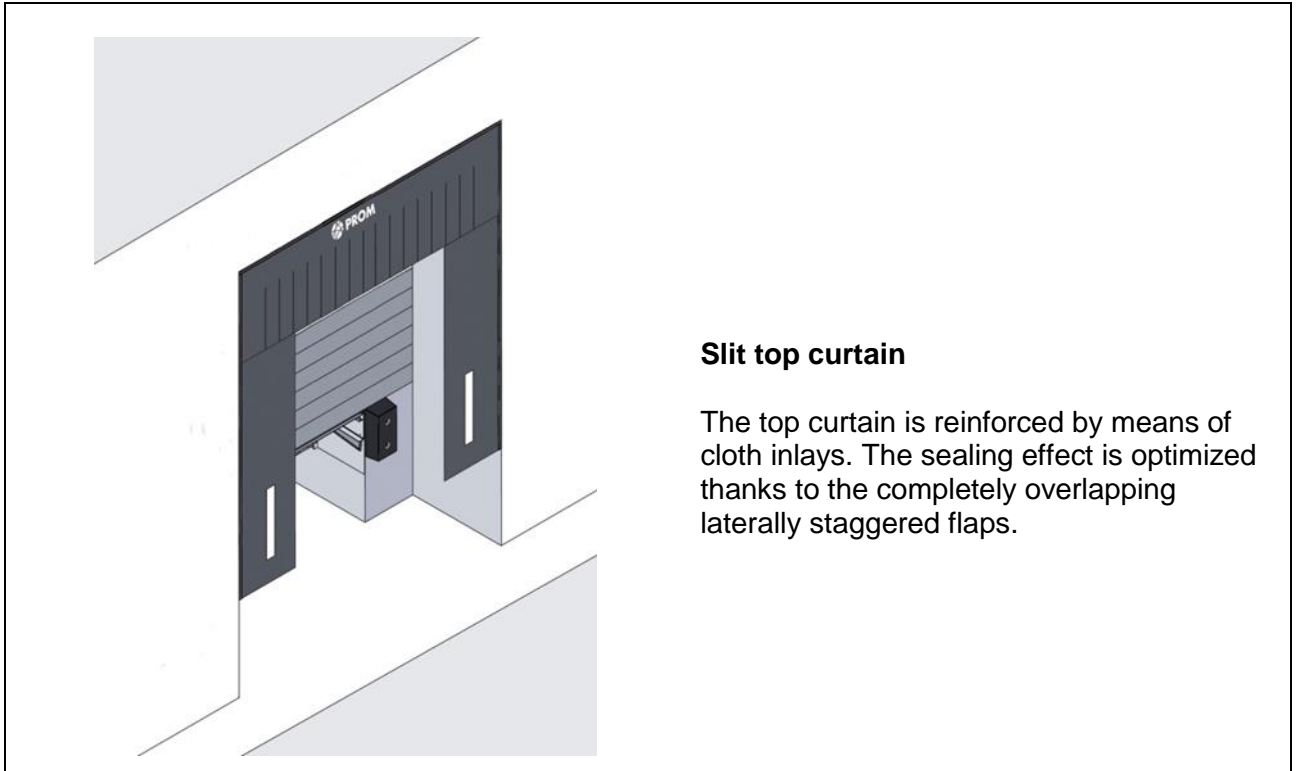
- double-layer PVC-coated polyester cloth
- total weight: about 3800 g/m² in accordance with the EN ISO 2286-2 standard
- material thickness: 3 mm
- temperature stability: -25° C/ +70° C
- low flammability in accordance with the DIN 75200 standard
- tensile strength / maximum tensile force in accordance with DIN EN ISO 1421/V1
 - longitudinal tensile strength: about 7000 N/ 50 mm
 - transverse tensile strength: about 4300 N/ 50 mm
- tear propagation strength in accordance with DIN 53363
 - longitudinal tear propagation strength: about 1000 N
 - transverse tear propagation strength: about 900 N

Options



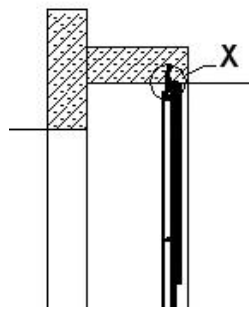
Top curtain with corner slits

Each of the two edges of the top curtain is cut twice and completely covered by four 20 cm flaps resulting in optimum sealing of the vehicle corners.

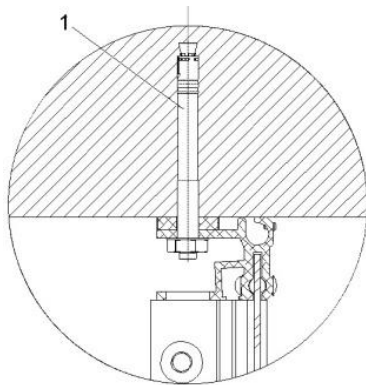


- Number on the top curtain
- Yellow warning stripes
- Reinforcement of the side curtains by rubber flaps (1x per side)

Wall fixing Detail „X“

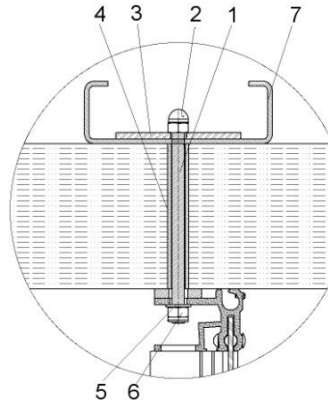


Concrete wall



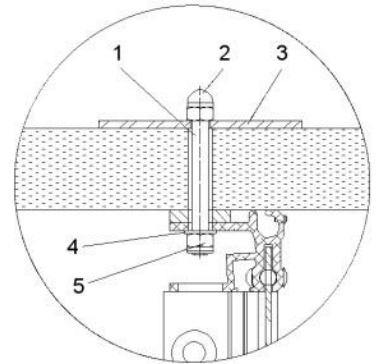
1 Fixing angle

Insulated wall



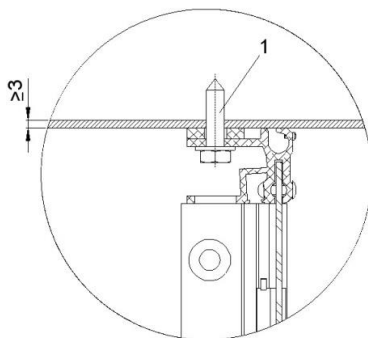
1 Threaded bolt
 2 nut
 3 washer
 4 spacer
 5 washer
 6 nut
 7 Installation profile e.g:
 C-profile 120x40x15x3*

Aerated autoclaved concrete wall



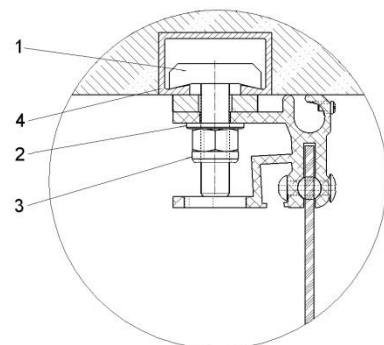
1 Threaded bolt
 2 nut
 3 washer
 4 washer
 5 nut

Steel wall thickness ≥ 3 mm



1 Self-tapping screw

Steel profile



1 HALFEN bolts HSR M10x40
 2 washer
 3 nut
 4 HALFEN channels* HTA 40/22

*) By others, not included in the PROMStahl delivery scope