



Product datasheet

Slidable aluminium drawbridge leveller

Type: PSKB

Load capacity: see rating plate

Contact:



Ronnenberger Straße 20
D-30989 Gehrden

phone +49 (0) 5108 879 270
fax +49 (0) 5108 879 2710

info@promstahl.de
www.promstahl.de

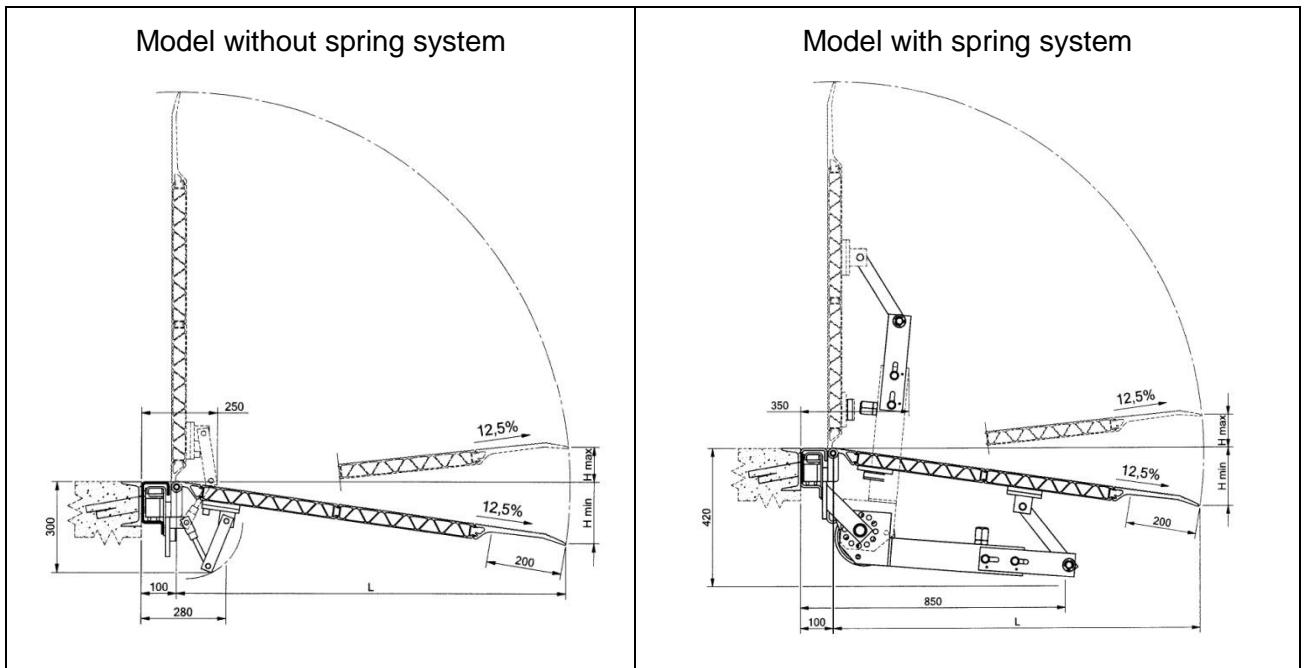
General information

PSKB slidable drawbridge levellers are designed for bridging medium differences in height and can be operated by just one person. The platform made of high-quality aluminium and a track carriage fixed in a ball bearing guarantee easy operation and lateral sliding.

This type of dock leveller has a load capacity up to 40 kN and can bridge differences in height of up to about 200 mm.

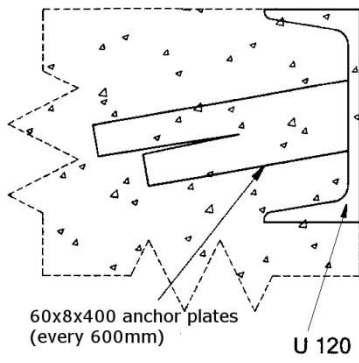
This dock leveller is made of durable weatherproof aluminium alloy and meets the highest requirements of modern goods traffic. If not in use, the leveller is in its vertical rest position at the ramp edge. An automatic lock/release system prevents accidental fall-down of the leveller.

Overview



Nominal length (mm)	Nominal width (mm)	Height difference (mm)		Load capacity (kN)	Model
		min.	max.		
565	1500	-90	+50	40	without spring system
815	1250	-120	+80	40	without spring system
815	1500	-120	+80	40	without spring system
1065	1500	-155	+110	40	with spring system
1315	1250	-185	+140	25	with spring system
1315	1500	-185	+140	40	with spring system
1565	1250	-215	+175	17,5	with spring system
1565	1500	-215	+175	40	with spring system

Preparations by the customer (recommended)



Fixing of the guide rail

