

## Product datasheet

Mobile container dock plate  
Type: PQM

**Contact:**



Ronnenberger Straße 20  
D-30989 Gehrden

phone +49 (0) 5108 879 270  
fax +49 (0) 5108 879 2710

info@promstahl.de  
www.promstahl.de

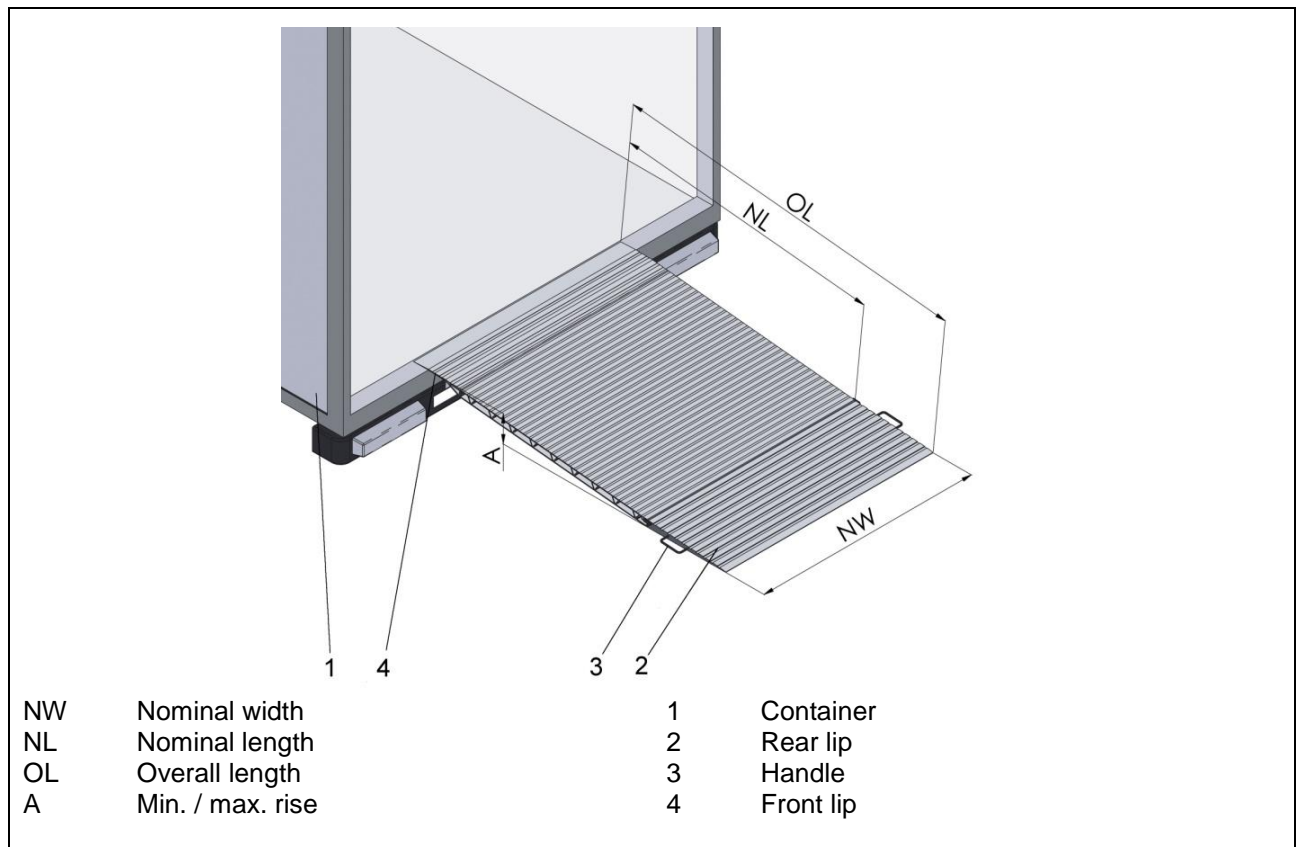
## General information

The PQM dock plate belongs to PROMStahl's wide product range and has been designed for container loading and unloading. It compensates for the difference in height between yard level and the container bed.

The PQM dock plate is made of durable welded steel provided with an anti-slip tear plate. It is moved to the container by means of an industrial truck. This dock plate is provided with slots to enable quick and easy transport.

For loading and unloading the dock plate is placed directly next to the rear edge of the container; subsequently, its lip is swung out and positioned on the container bed. The plate is then fixed against slipping away by means of the safety chains included in the delivery.

This PROMStahl product meets all requirements of the latest European standard EN 1398.



NL	NW	OL	A min.	A max.
1435	1500, 1750, 2000, 2250, 2300, 2400	1935	150	240
2000	1500, 1750, 2000, 2250, 2300, 2400	2500	150	300
2450	1500, 1750, 2000, 2250, 2300, 2400	2950	150	360
2900	1500, 1750, 2000, 2250, 2300, 2400	3400	150	410

Load capacity for all sizes: 60 kN

All dimensions in mm.