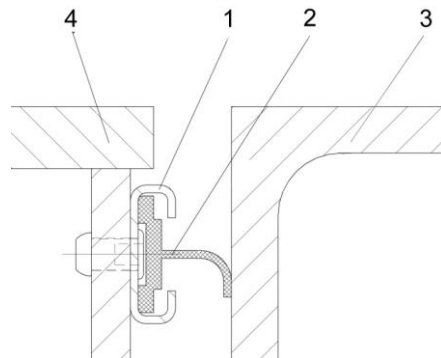


# Product datasheet

## EPDM sealing

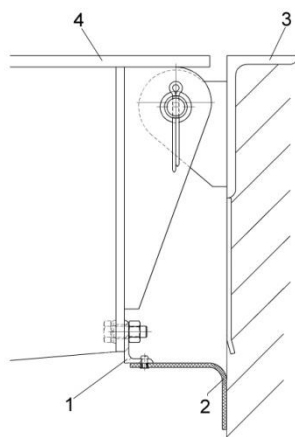
The EPDM sealing is used to seal the gap between the dock leveller and the pit so that draught in the warehouse building is reduced, the staff's working conditions are improved and energy can be saved. The lateral sealing lip and the rubber for rear side sealing consist of ethylene propylene diene monomer (M-class) rubber (EPDM) material.

Lateral EPDM sealing



- 1 C profile
- 2 Sealing lip
- 3 Frame
- 4 Platform

Rear side EPDM sealing



- 1 Angular profile
- 2 Rubber section
- 3 Frame
- 4 Platform