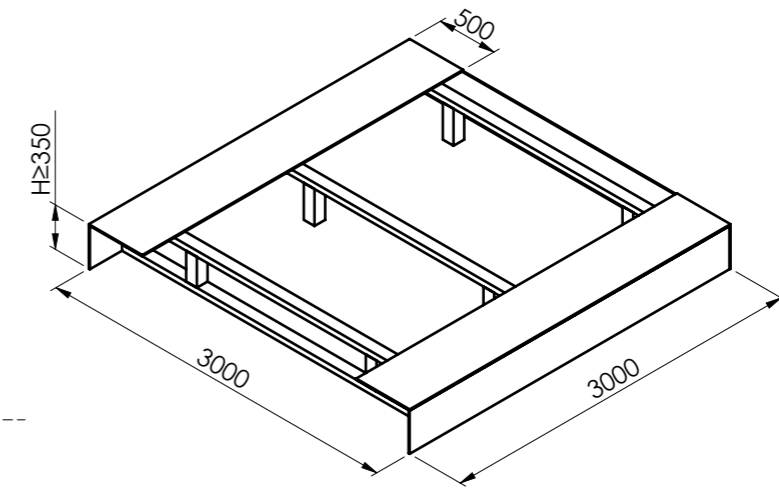
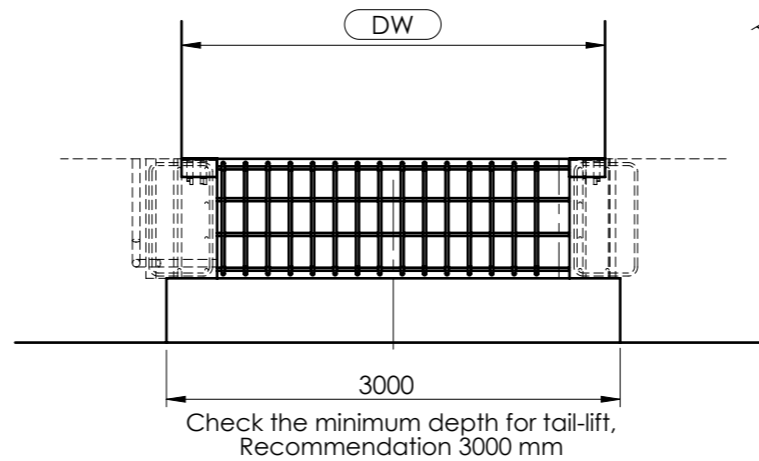
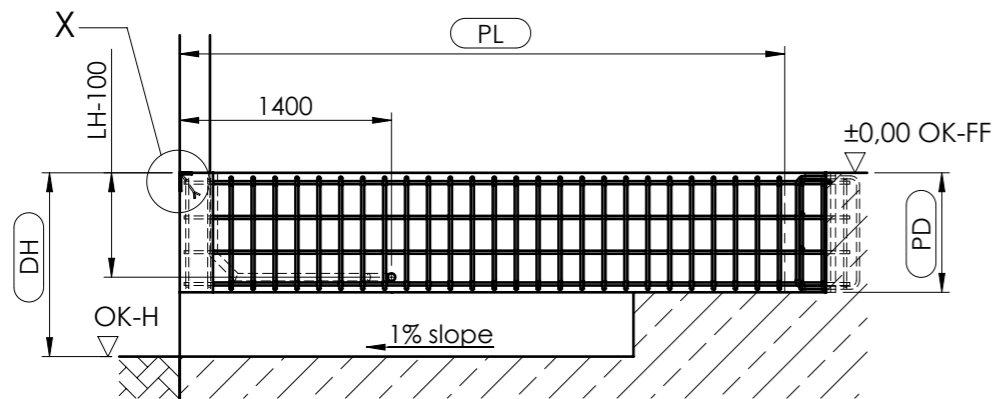


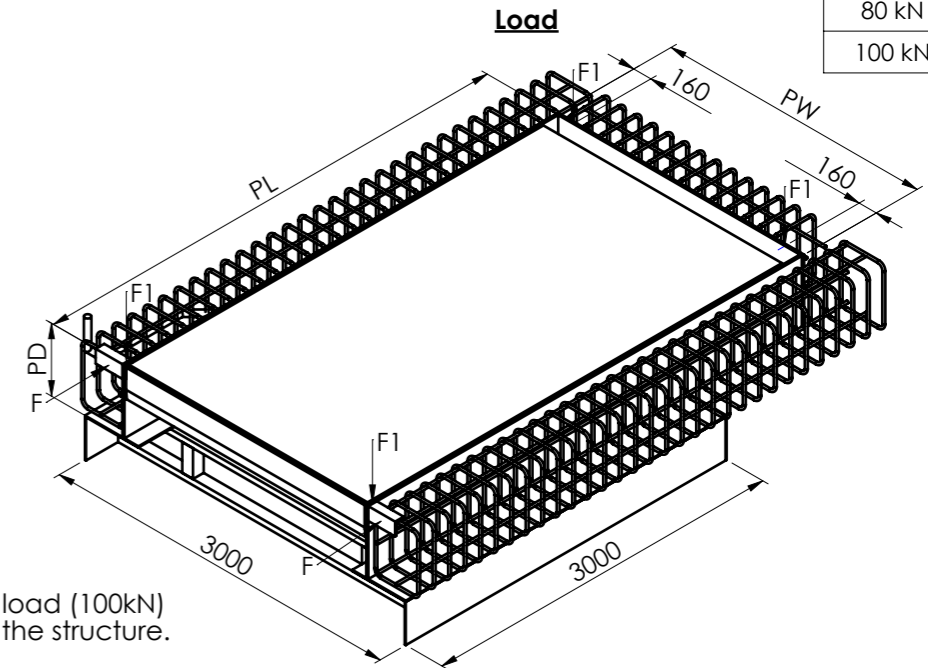
1 2 3 4 5 6 7 8

A  
B  
C  
D  
E  
F

SECTION A-A

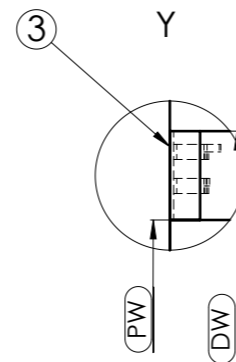
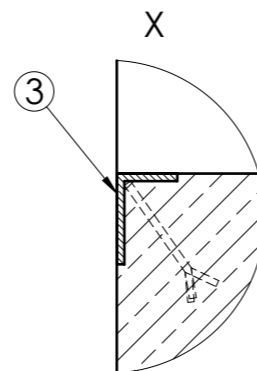
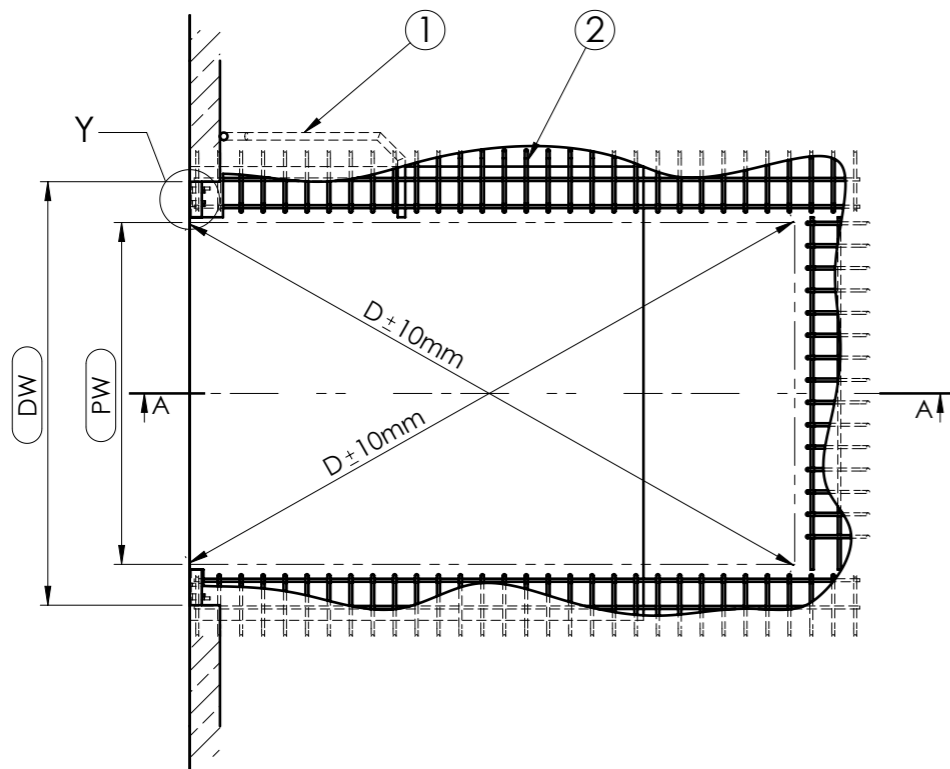


Load capacity	F1
60 kN	57 kN
80 kN	76 kN
100 kN	95 kN



F = The horizontal impact load (100kN) must be absorbed by the structure.  
F1 = Cross traffic position

Placement of the conduits: either on the right or on the left side.  
Illustration: installation on the right side



- DH = Dock height
- LH = Leveller height
- OK-FF = Finish floor level
- OK-H = Yard level
- PW = Pit width
- DW = Door width
- NL = Nominal length
- PL = Pit length
- PD = Pit depth

by others:

- ① - Conduit for wiring internal diameter min. 50mm, angles <45°
- ② - Reinforcement
- ③ - Steel profile e.g. angle 120x80x10

Attention:

- Do not deviate from the measurements given
- The pit walls must be vertical
- The corners of the pit must be square (diagonals must be equal)
- The preparation of the pit and the dowels by others

Installation place drawn: NL=4000  
NW=2200  
LH=800

NL	1750	2000	2000	2500	2500	2750	2750	3000	3000	3500	4000	4500
PL	1805	2055	2055	2555	2555	2805	2805	3055	3055	3555	4055	4555
LH	700	600	700	600	700	600	700	600	700	800	900	900
PD	690	590	690	590	690	590	690	590	690	790	890	890

NW	PW
1750	1880
2000	2130
2100	2230
2200	2330
2250	2380
2400	2530

DIMENSIONS ARE IN MILLIMETERS

DO NOT SCALE DRAWING

REVISION A

	NAME	SIGNATURE	DATE
DRAWN	P.Zarebski		2019-07-15
CHK'D			
APPV'D			
MFG			
Q.A			



TITLE:	
PT B with tail lift	
DWG NO.	A3
PTE.00.00.25-EN	

SCALE:1:50

EN

1

2

3

4