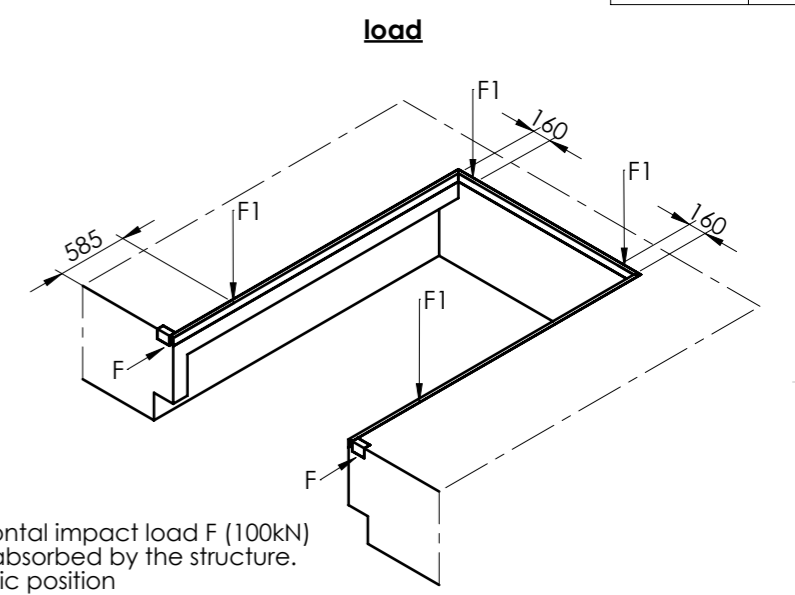
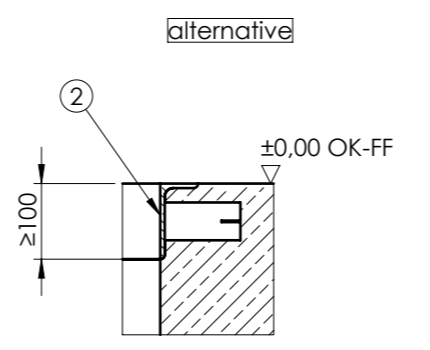
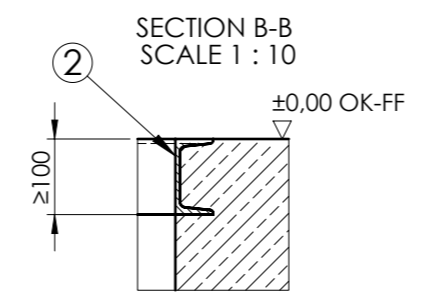
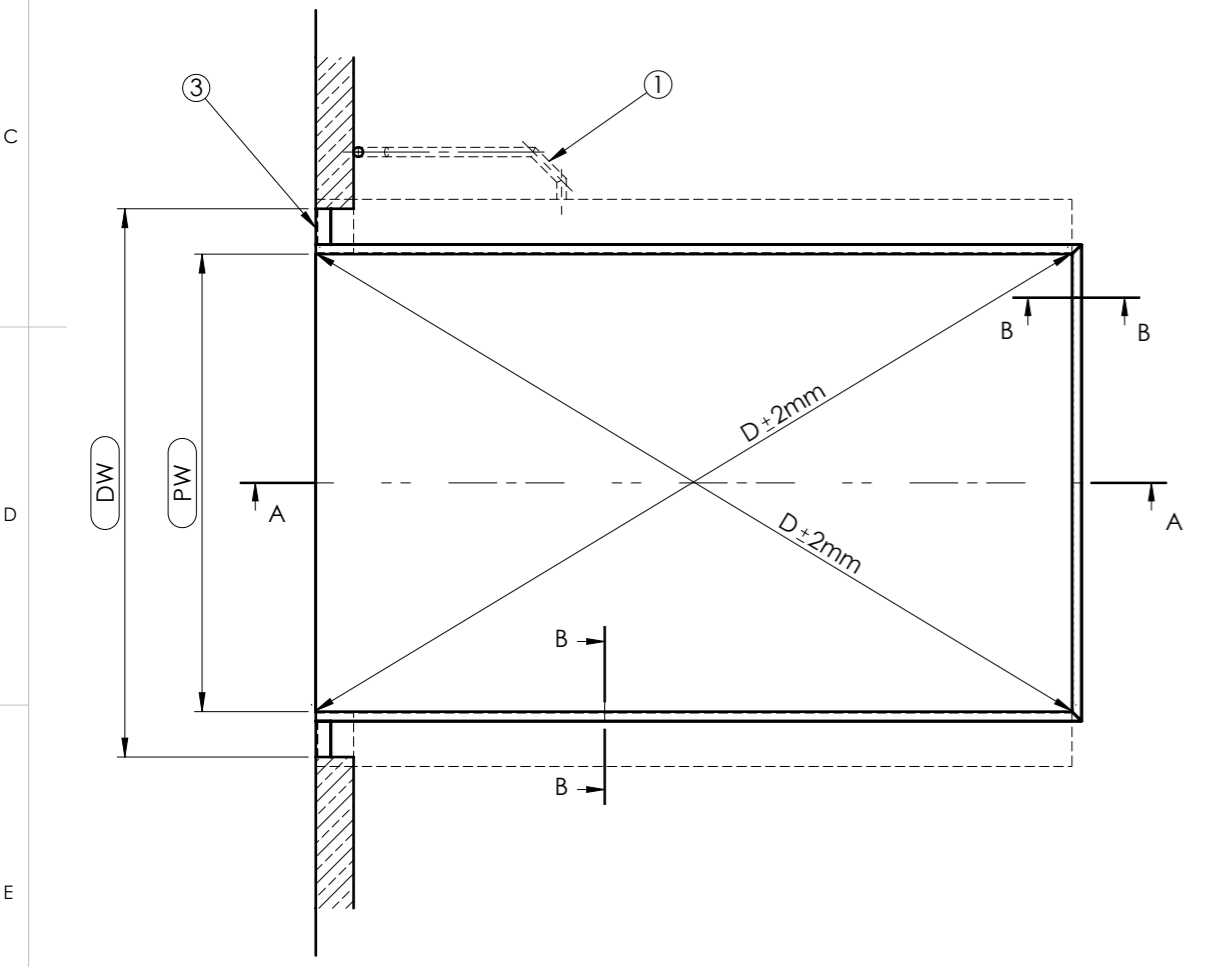


load capacity	F1
60 kN	57 kN
80 kN	76 kN
100 kN	95 kN



F = The horizontal impact load F (100kN) must be absorbed by the structure.
F1 = cross traffic position

Placement of the conduits: either on the right or on the left side.
Illustration: installation on the right side

DH	Dock height	by others	
DW	Door width		
OK-FF	Finish floor level	1 -Conduit for wiring internal diameter min. 50mm angles <45°	
OK-H	Yard level	2 -Cast in frame	
PL	Pit length	3 -Steel profile e.g. angle 120x80x10	
PW	Pit width	Attention	
NL	Nominal length		-Do not deviate from the measurements given
NW	Nominal width		-The corners of the pit must be square (diagonals must be equal)
LH	Leveller height		-The preparation of the pit and the dowels by other

NL	1750	2000	2000	2250	2500	2500	2750	3000	3000	3500	4000	4500
LH	700	600	700	700	600	700	700	600	700	800	800	800
PL	1735	1985	1985	2235	2485	2485	2735	2985	2985	3485	3985	4485

NW	PW
1750	1770
2000	2020
2100	2120
2200	2220
2250	2270
2400	2420

Installation place drawn: NL=4000
NW=2400
LH=800

DIMENSIONS ARE IN MILLIMETERS

DO NOT SCALE DRAWING

REVISION C

MATERIAL:

TITLE: **PT F with tail lift**

DWG NO. **PTE.00.00.22-EN**

A3

SCALE:1:50

WEIGHT:

EN

NAME: P.Zarebski

SIGNATURE:

DATE: 2019-07-15

DRAWN: P.Zarebski

CHK'D:

APPV'D:

MFG:

Q.A: