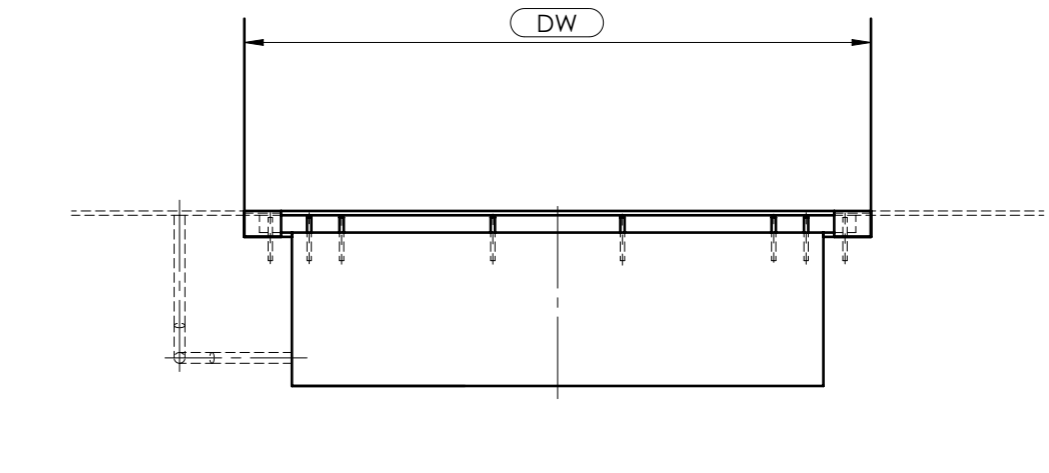
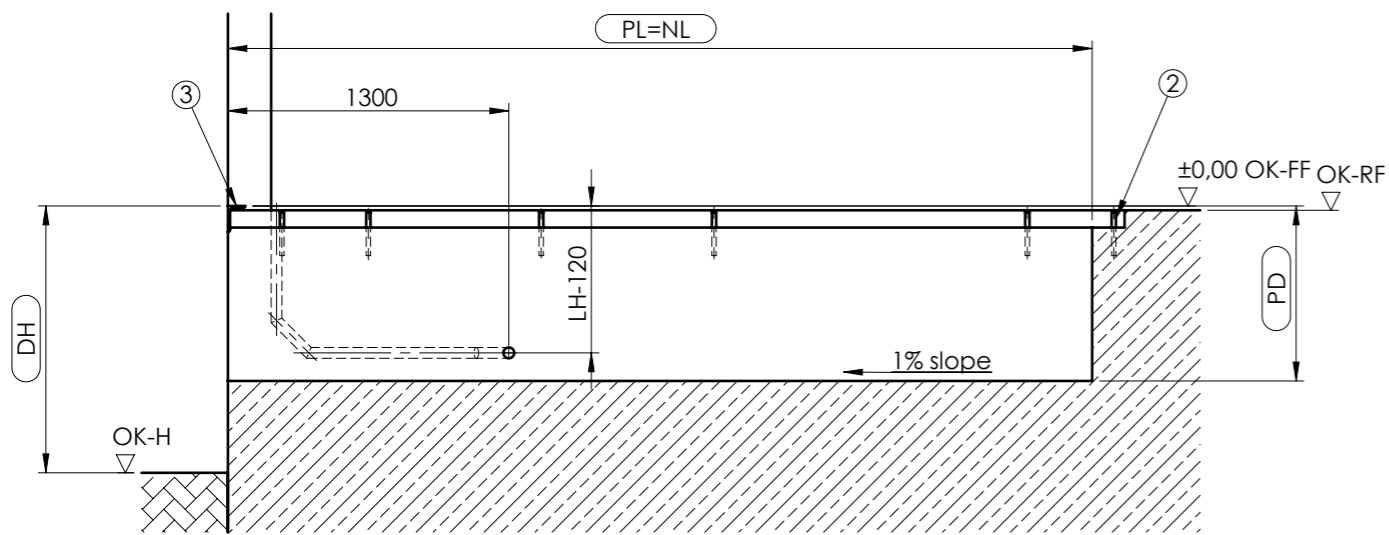
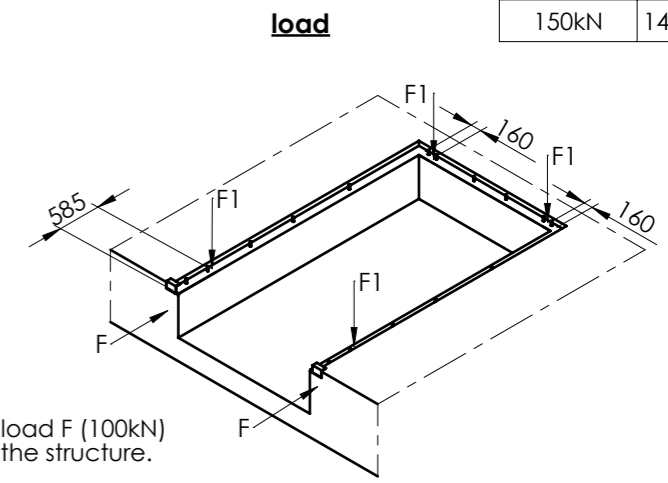
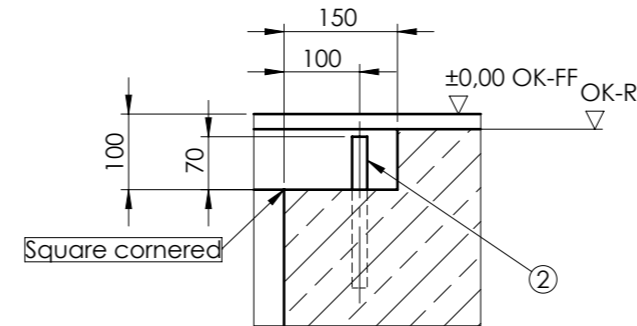


SECTION A-A



load capacity	F1
60 kN	57 kN
80 kN	76kN
100 kN	95kN
120kN	114kN
150kN	143kN

SECTION B-B  
SCALE 1 : 10

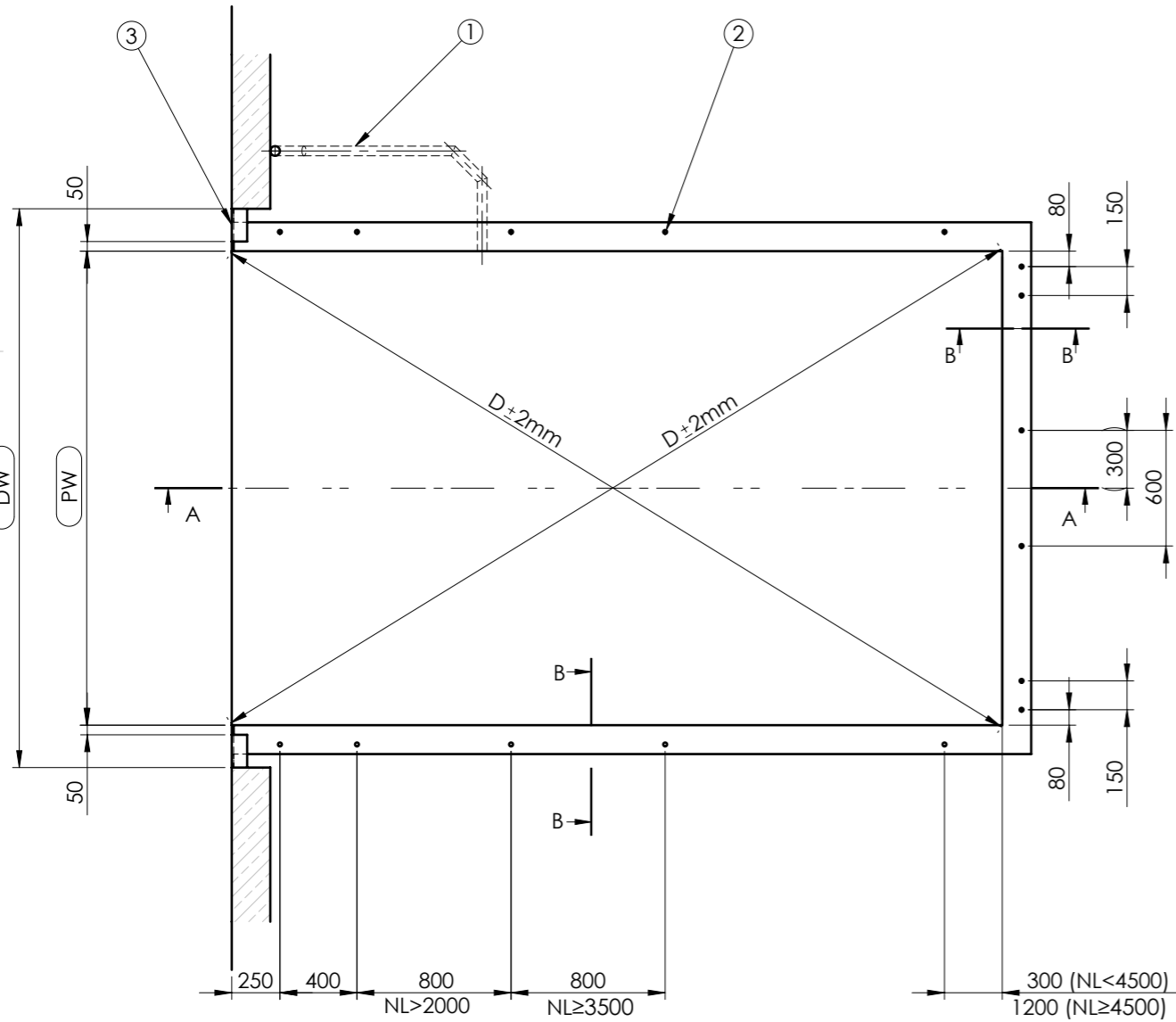


F = The horizontal impact load F (100kN) must be absorbed by the structure.  
F1= cross traffic position

Placement of the conduits: either on the right or on the left side.  
Illustration: installation on the right side

- DH Dock height
- DW Door width
- OK-FF Finish floor level
- OK-H Yard level
- OK-RF Floor base
- PL Pit length
- PW Pit width
- NL Nominal length
- NW Nominal width
- LH Leveller height
- n number fish-tails

by others:  
1 -Conduit for wiring internal diameter min. 50mm angles <45°  
2 -Plain steel dowel Ø20-200mm  
3 -Steel profile e.g. angle 120x80x10  
**Attention:**  
-Do not deviate from the measurements given  
-The corners of the pit must be square (diagonals must be equal)  
-The preparation of the pit and the dowels by others  
\*Cast in concrete after welding of the leveller or of the pre-frame. (by others)



NL	1750	2000	2000	2250	2500	2500	2750	3000	3000	3500	4000	4500
LH	700	600	700	700	600	700	700	600	700	800	800	800
PD	710	610	710	710	610	710	710	610	710	810	810	810
n	12	12	12	14	14	14	14	14	14	16	16	16

NW	PW
1750	1810
2000	2060
2100	2160
2200	2260
2250	2310
2400	2460

DIMENSIONS ARE IN MILLIMETERS

DO NOT SCALE DRAWING

REVISION A

	NAME	SIGNATURE	DATE
DRAWN	P.Zarebski		2019-07-15
CHK'D			
APPV'D			
MFG			
Q.A			



TITLE:  
**PT T/W  
without tail lift**  
DWG NO. **PTE.00.00.08-EN** A3

SCALE:1:50

EN