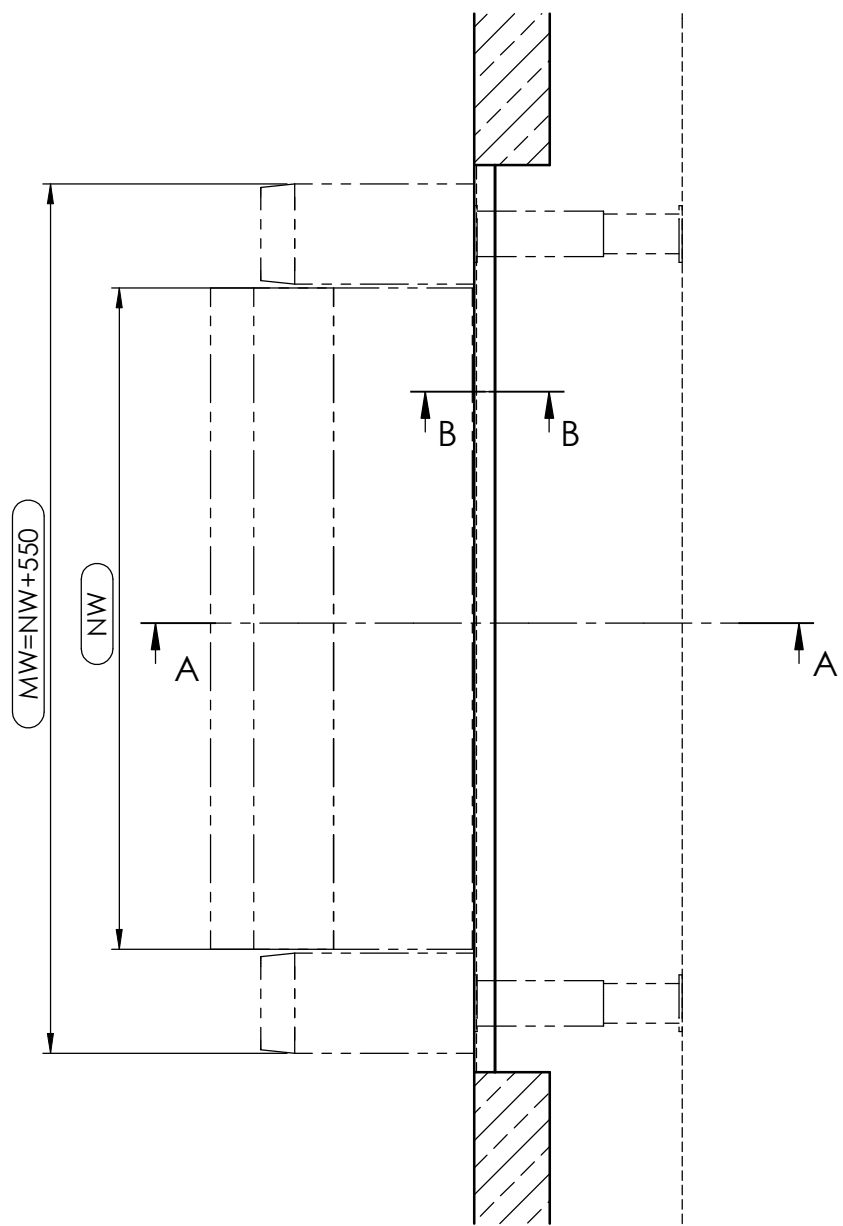
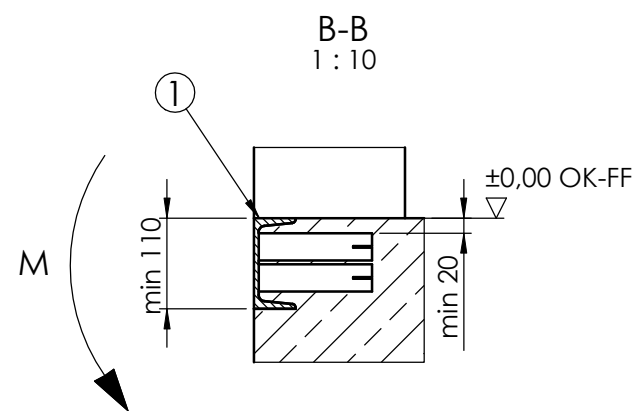


F = The horizontal impact load F (100kN) must be absorbed by the structure.
 F1 = Cross traffic position 42kN
 M = max. bending moment 7,5kNm



NW	MW
1750	2300
2000	2550
2250	2800

DH = Dock height
 DW = Door width
 OK-FF = Finish floor level
 OK-H = Yard level
 NW = Nominal width
 MW = Loading ramp module width

by others
 1 -Cast in frame (suggestion.: U140x60x7)

Attention
 - Do not deviate from the measurements given
 - The corners of the pit must be square (diagonals must be equal)
 - The preparation of the pit and the dowels by others

ABMESSUNGEN IN MM				DO NOT SCALE DRAWING		REVISION	
				MATERIAL:			
				TITLE:			
				Leveller PECO S			
				DWG NO.		A3	
				SCALE:1:20		EN	

	NAME	SIGNATURE	DATE
DRAWN	R. Gqciarz		2010-11-15
CHK'D	J. Rypel		
APPV'D			
MFG			
Q.A			

PROM STAHL GmbH
 Ronnenberger Straße 20
 30989 Gehrden