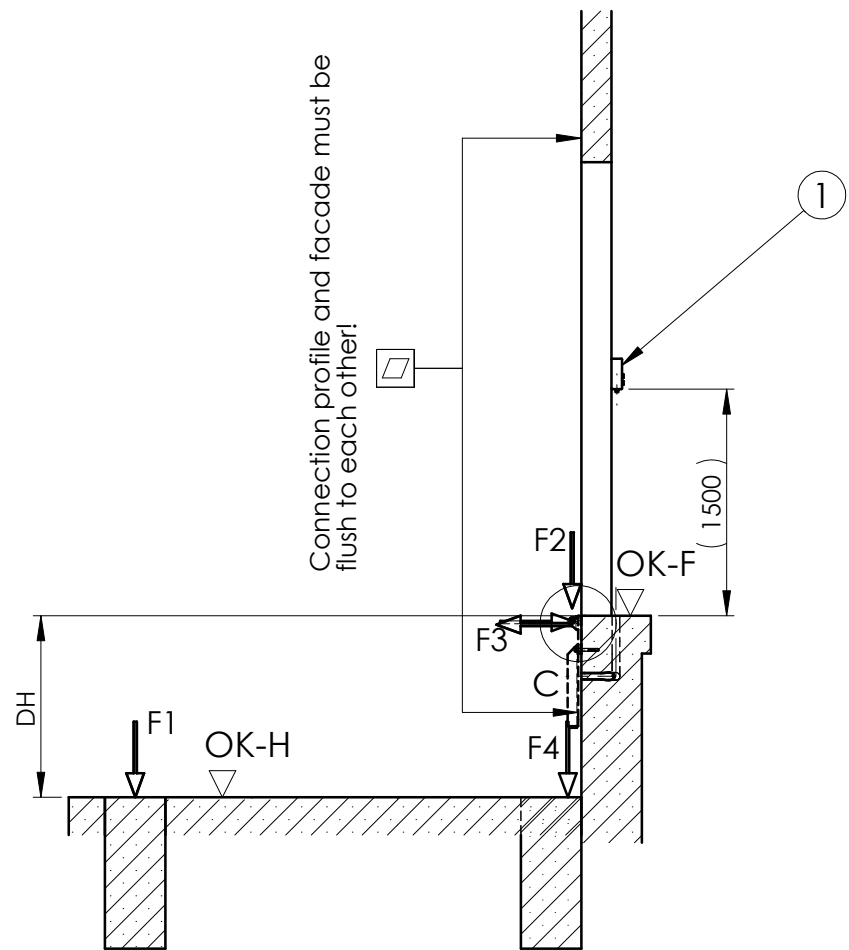
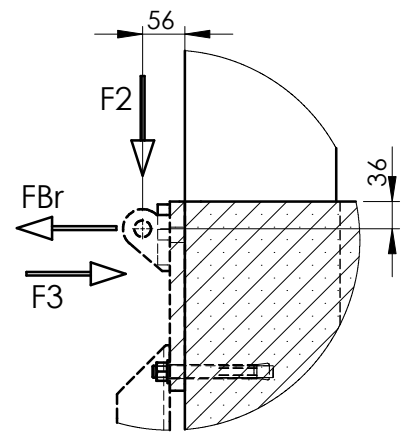


# SECTION A-A

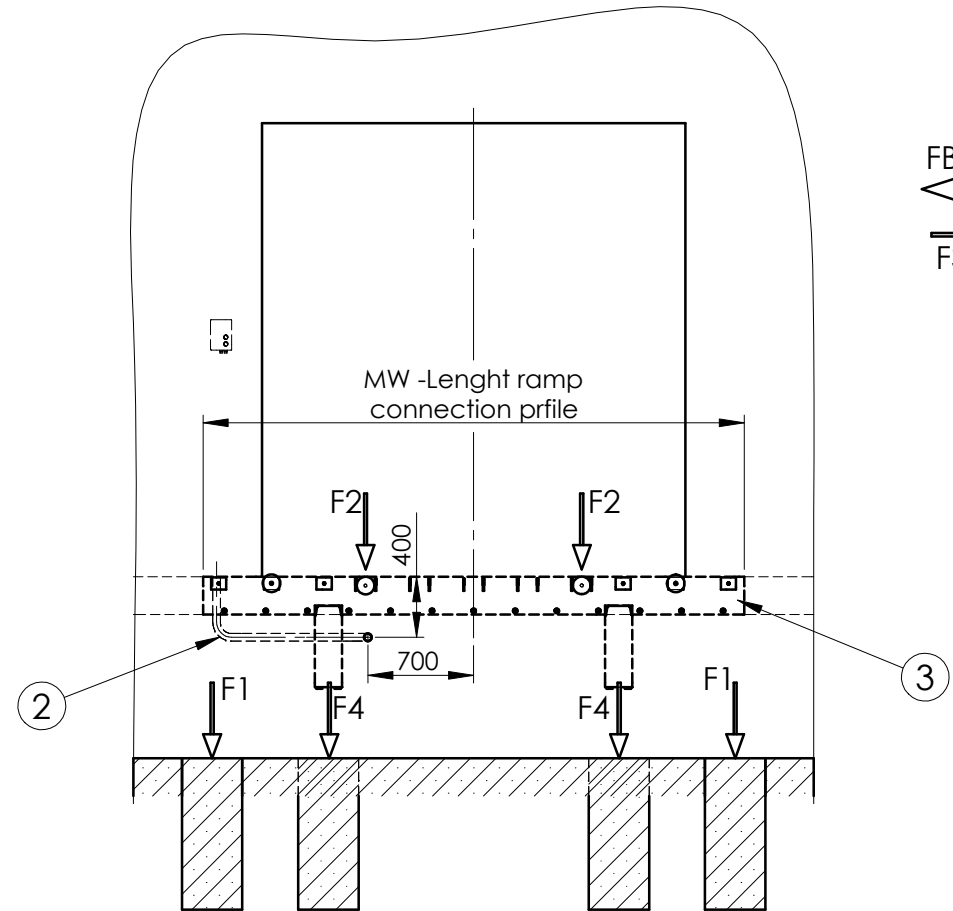
Connection profile and facade must be flush to each other!



# Detail "C"



F1= 72 kN: Foundation loads  
 F2= 42 kN: Load resulting from forklift crossing  
 F3= 100 kN: Vehicle impact load  
 F4= 72 kN: Foundation loads  
 FBr= 10 kN: Braking and starting load (forklift)  
 Forces F2 and FBr are led into the ramp head via the hinges.  
 The horizontal impact load F3 is led into the building via the ramp



MW = Loading ramp module width  
 NL = Dock leveller nominal length  
 NW = Dock leveller nominal width  
 OK-F = Finish floor level  
 OK-H = Yard level  
 DH = Dock height  
 L1 = Distance of the foundations centre axes and the ramp head  
 LS = Distance of the force impact points at the ramp head for FBr and F2  
 LW = Distance of the force impact points at the foundations  
 DW = Door width

NL	L1	NW	LS	MW	LW
2000	1970	1750	1430	3300	3190
2450	2420	2000	1680	3500	3390
3000	2970	2200	1880	3600	3490
3500	3470	2250	1930		
4000	3970	2400	2080		
4500	4470				

Placement of the conduits: either on the right or on the left side.  
 Illustration: installation on the right side

4	Required contact area 400x400 mm
3	Rear frame: scope of delivery of the loading ramp
2	Conduit for wiring internal diameter min. 50mm angles <45°
1	Electronic control (included)
Pos.	Reference

UNLESS OTHERWISE SPECIFIED: DIMENSIONS ARE IN MILLIMETERS		FINISH:		DEBUR AND BREAK SHARP EDGES		DO NOT SCALE DRAWING		REVISION	
SURFACE FINISH:						MATERIAL:			
TOLERANCES:									
LINEAR:									
ANGULAR:									
NAME	SIGNATURE	DATE	<p><b>PROMStahl GmbH</b>                  Ronnenberger Straße 20                  30989 Gehrden</p>		TITLE: <h2>Foundation plan 90°</h2> Loading ramp with steel legs for PT and PS platform				
DRAWN	R. Gqciarz	2010-11-08							
CHK'D									
APPV'D									
MFG									
Q.A			DWG NO.		<b>PVR.08</b>		A3		
WEIGHT:			SCALE:1:100		EN				

